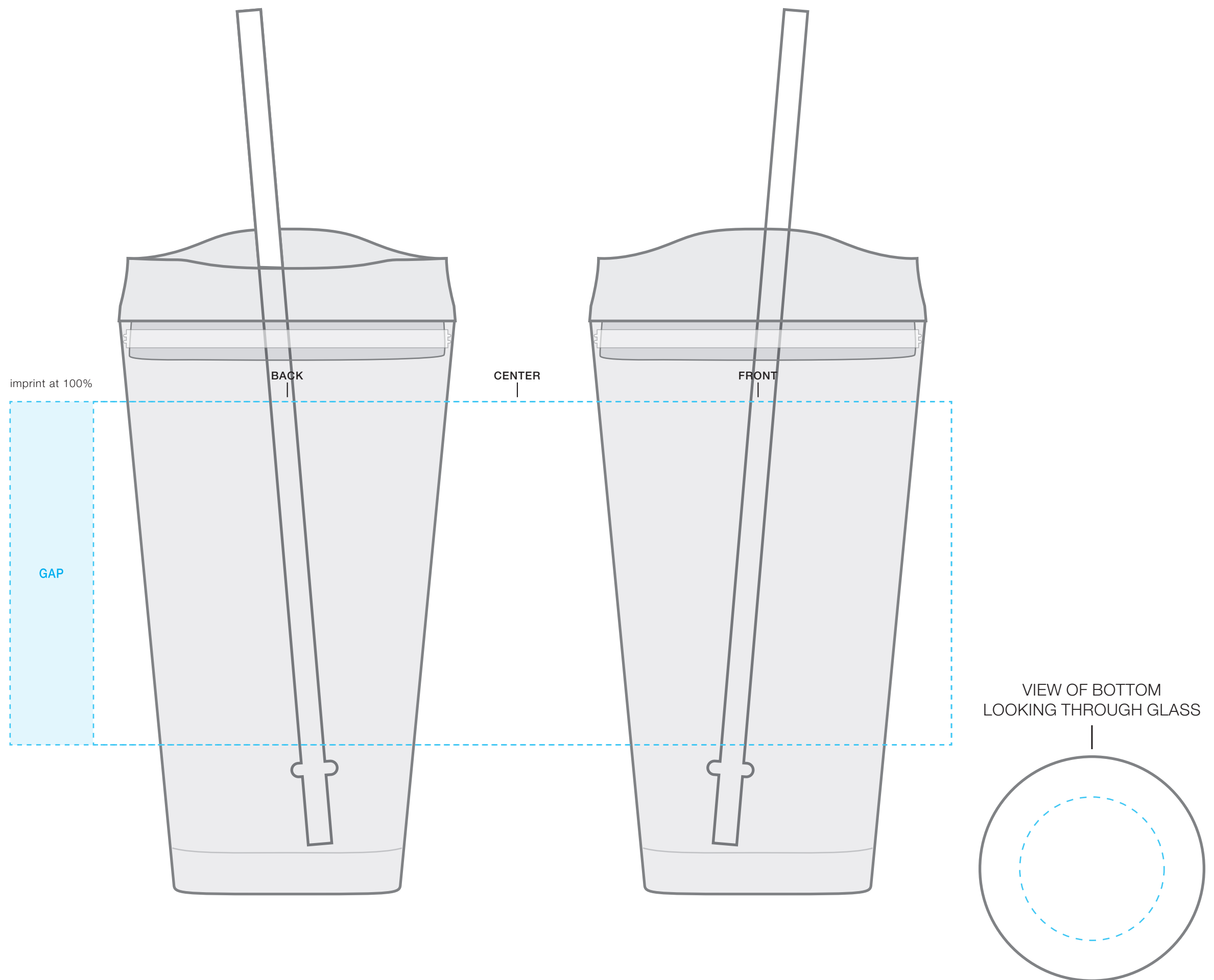


**\*\*CIRCLES AND/OR SQUARES WILL WARP DUE TO THE SHAPE OF THE ITEM\*\***



**pint2go**

**AVAILABLE IMPRINT AREA [DASHED BLUE LINE]= 3.5" h x 3" w x 8.75" wrap (bottom diameter) 1.5"**  
[ 9.6" full wrap when printing more than one imprint color ]

**NOT A PROOF  
FOR CONCEPT PURPOSES ONLY**  
PLEASE DESIGNATE PMS # TO CORRESPONDING COLOR #.  
PLEASE USE PMS COLORS AND OUTLINE ANY FONTS  
BEFORE SENDING IN WITH YOUR ORDER